



MXE170



17,10 m



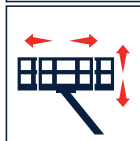
250 kg



400°



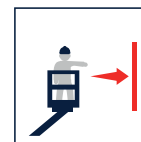
15,10 m



1200x700x1100 mm



DS-DS



8,90 m (100 kg)
6 m (250 kg)

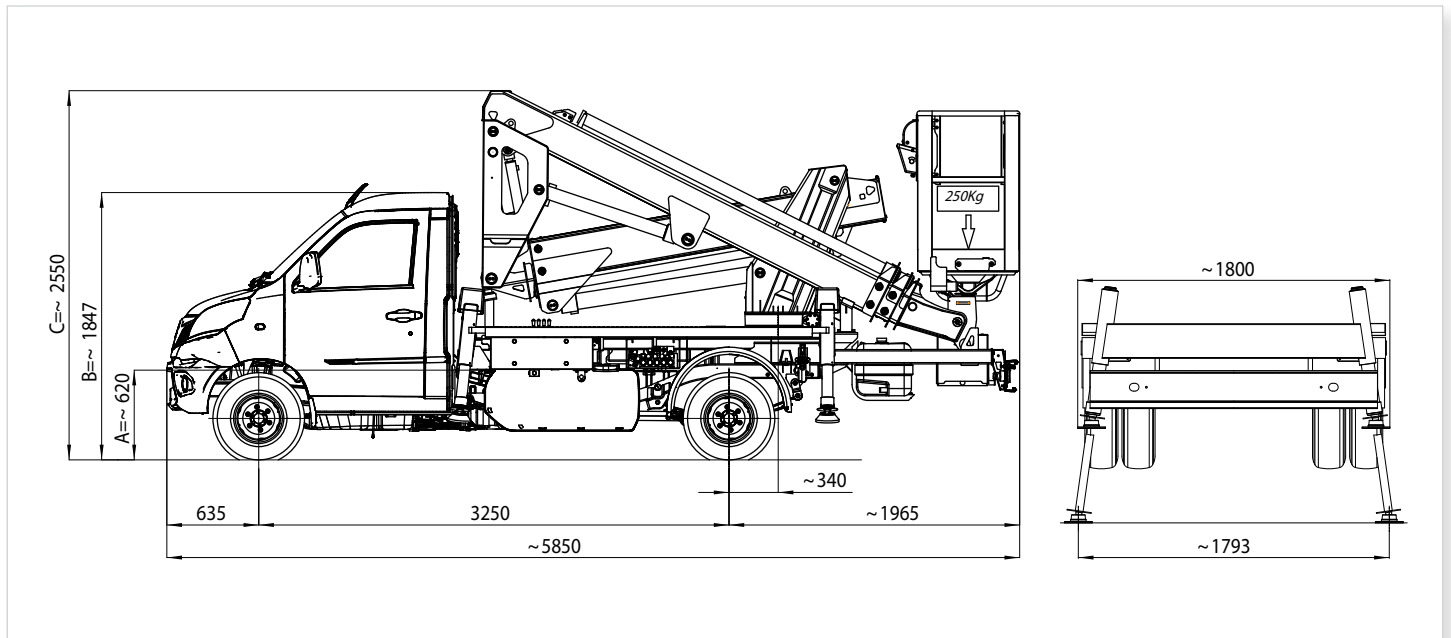
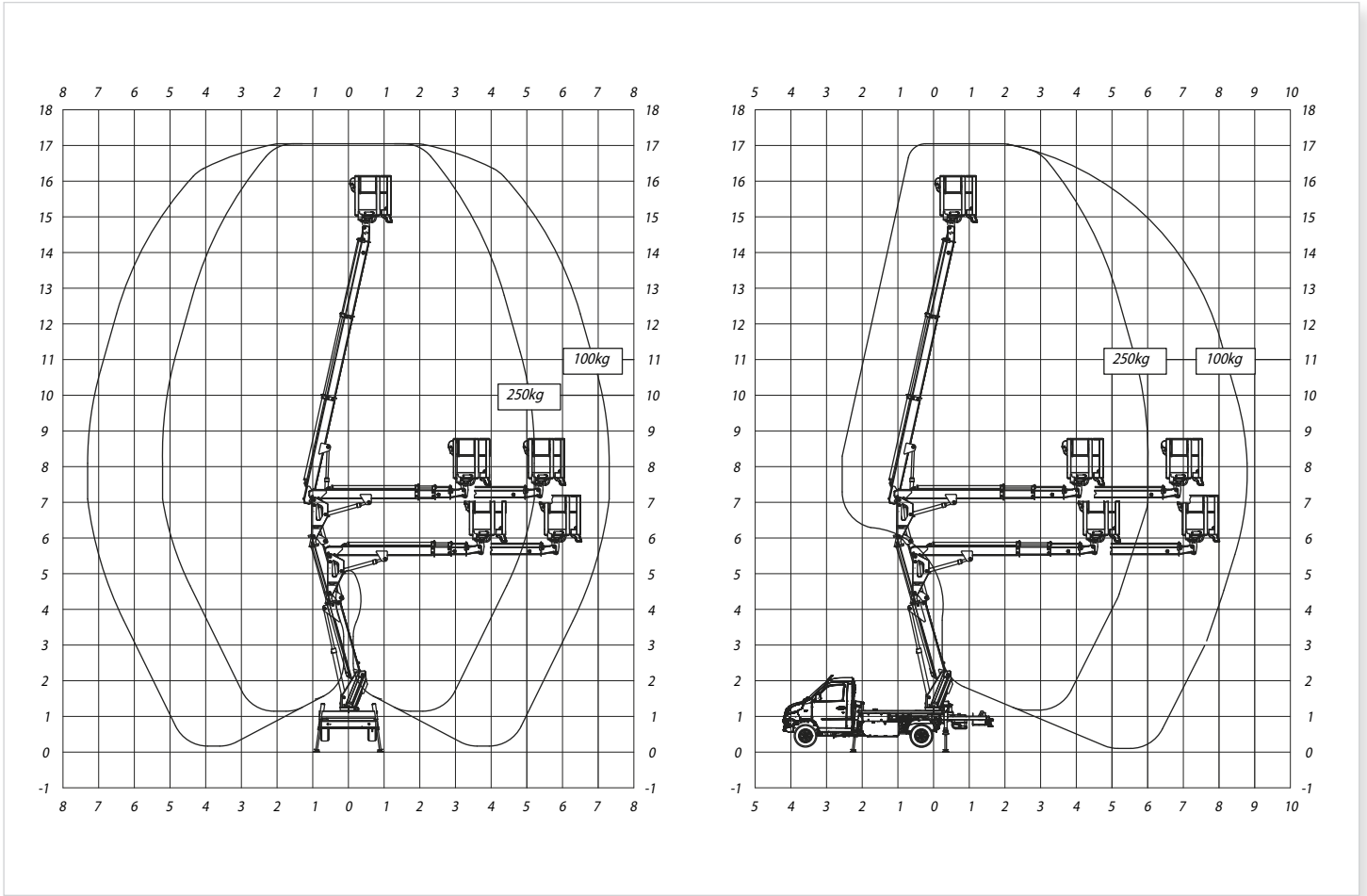


50°+50°



2,8 ton

MXE170



MULTITEL PAGLIERO S.P.A.
 Strada Statale, 114
 12030 MANTA (CN) - ITALY
 Tel. +39 0175 255211
 info@pagliero.com

Filiali
 Corso Piemonte, 54
 10099 S. MAURO T. SE (TO) - ITALY
 Tel. +39 011 2236792
 Via dell'Offelera, 106
 20861 BRUGHERIO (MB) - ITALY
 Tel. +39 039 883393/4

MULTITEL INTERNATIONAL SASU
 87, rue du Morellon
 38070 ST. QUENTIN FALLAVIER - FRANCE
 Tel. +33 (0) 4 74 94 63 19
 accueil@multitelinternational.com

MULTITEL EXPORT SALES GmbH
 Carl-Zeiss-Straße, 34
 52477 ALSDORF - DEUTSCHLAND
 Tel. +49 (0) 2404 675 580
 exportsales@pagliero.com

MULTITEL UK LTD - operational headquarter
 Unit 11 Bilton Court Bilton Way
 LU11LX LUTON - UK
 Tel. +44 (0) 1582 952778
 info.uk@pagliero.com

MULTITEL IBERICA SL
 C/ Luxemburg, 12
 08520 LES FRANQUESES DEL VALLÈS, BARCELONA - ESPAÑA
 Tel. +34 93 22 05 633
 info.iberica@pagliero.com

www.multitelgroup.com